



USER INSTRUCTIONS

TRIPOD

P/N: 3500003



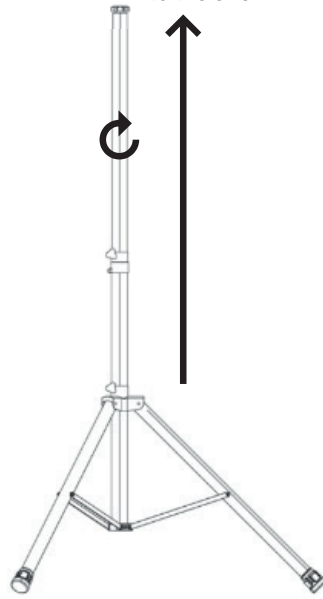
1

Extend the Tripod holder in the bottom to approx angle. Tighten the screw.



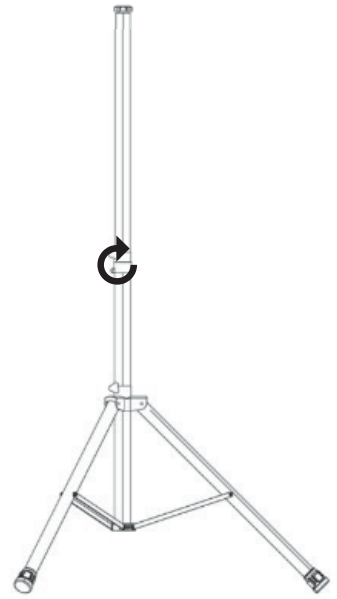
2

Pull the tube out to its highest position to 2M. Rotate the tube clockwise to the end.

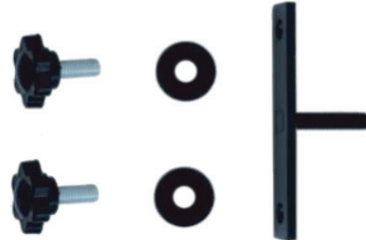


3

Tighten the screw.



● Part 1




Accessories for 3500002 and 3500010.
360 degree lamps.

● Part 2



Accessories for 3500004 and 3500005.
LED working lights.





We bring you
Power Solutions

AB Alfort & Cronholm
Johannesfredsvägen 12
168 69, Bromma

www.alfort.se